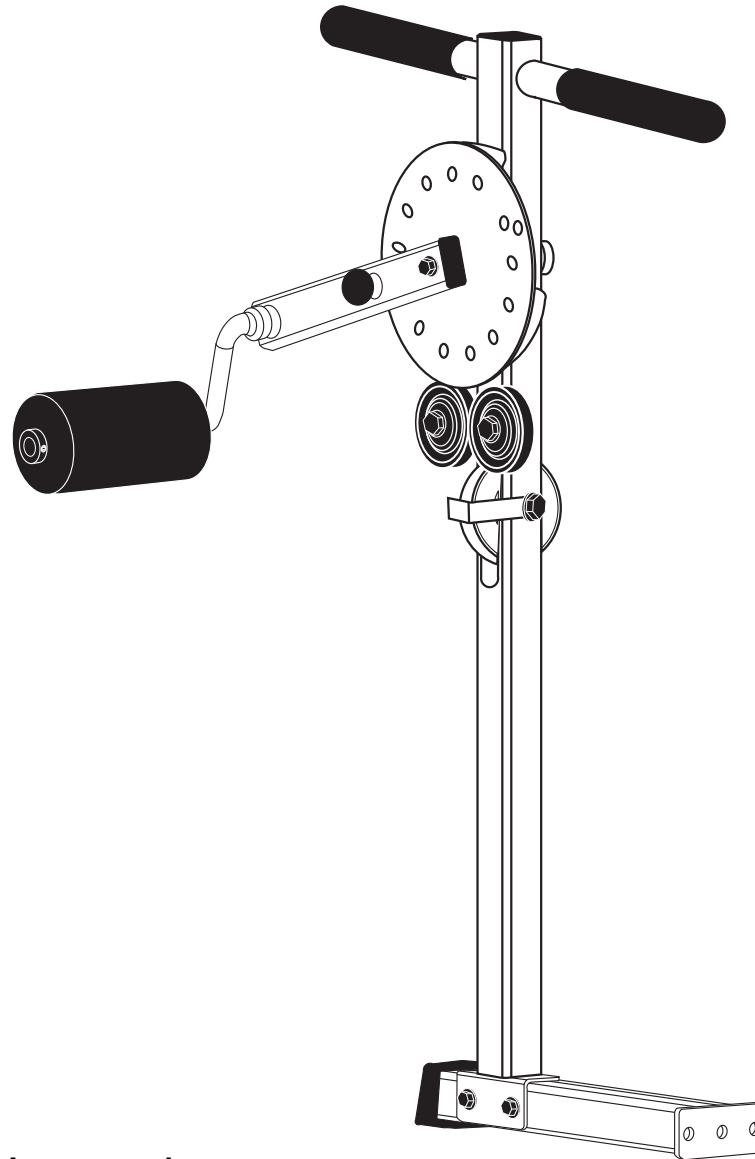




Zuma

Multi-Hip Option



Assembly Instructions

Important Safety Instructions

Before beginning any fitness program, you should obtain a complete physical examination from your physician.

Il est conseillé de subir un examen médical complet avant d'entreprendre tout programme d'exercice. Si vous avez des étourdissements ou des faiblesses, arrêtez les exercices immédiatement.

When using exercise equipment, basic precautions should always be taken, including the following:

- Read all instructions before using the Multi-Hip Option. These instructions are written to ensure your safety and to protect the unit.
- Do not allow children on or near the equipment.
- Use the equipment only for its intended purpose as described in this guide. Do not use accessory attachments that are not recommended by the manufacturer—such attachments might cause injuries.
- Wear proper exercise clothing and shoes for your workout—no loose clothing.
- Use care when getting on or off the unit.
- Do not overexert yourself or work to exhaustion.
- If you feel any pain or abnormal symptoms, stop your workout immediately and consult your physician.
- Never operate the unit after it has been dropped or damaged. Return the equipment to a service center for examination and repair.

- Never drop or insert objects into any opening. Keep hands away from moving parts.
- Always check the unit and its cables before each use. Make sure that all fasteners and cables are secure and in good working condition.
- Do not use the equipment outdoors.

Personal Safety During Assembly

- It is strongly recommended that a qualified dealer assemble the equipment. **Assistance is required.**
- Read each step in the assembly instructions and follow the steps in sequence. Do not skip ahead. If you skip ahead, you may learn later that you have to disassemble components and that you may have damaged the equipment.
- Assemble and operate the Multi-Hip Option on a solid, level surface. Locate the unit a few feet from walls or furniture to provide easy access.

The Multi-Hip Option is designed for your enjoyment. By following these precautions and using common sense, you will have many safe and pleasurable hours of healthful exercise with your Precor equipment.

Obtaining Service

Do not attempt to service the Multi-Hip Option yourself. This unit does not contain any user-serviceable parts.

For information about product operation or service, check out the Precor web site at www.precor.com or contact an authorized Precor dealer or a Precor factory authorized service company. To locate the dealer or service person nearest you, call 1-888-665-4404.

If you call or e-mail Customer Service, have your serial and part numbers available.

You can find the serial number printed on a label affixed to the Multi-Hip Base. For future reference, write the serial number in the space provided below.

Serial number: _____

Table of Contents

	Important Safety Instructions	2
	Personal Safety During Assembly	2
	Obtaining Service	2
1	Before You Begin	4
	Unpacking the Equipment	4
2	Preparations	5
	Required Tools	5
	Installation Requirements	5
	Assembly Tips	5
3	Assembly Instructions	6
	1. Assemble the Frame and Attach It to the Zuma	7
	2. Install the Pivot Arm	9
	3. Route the Cable and Attach the Pulley	11
	4. Install the Roller Arm	13
	5. Connect the Cable to the Zuma	14
4	Adjustments	15
	Warranty Card	Back cover
	Specifications	Back cover

1 Before You Begin

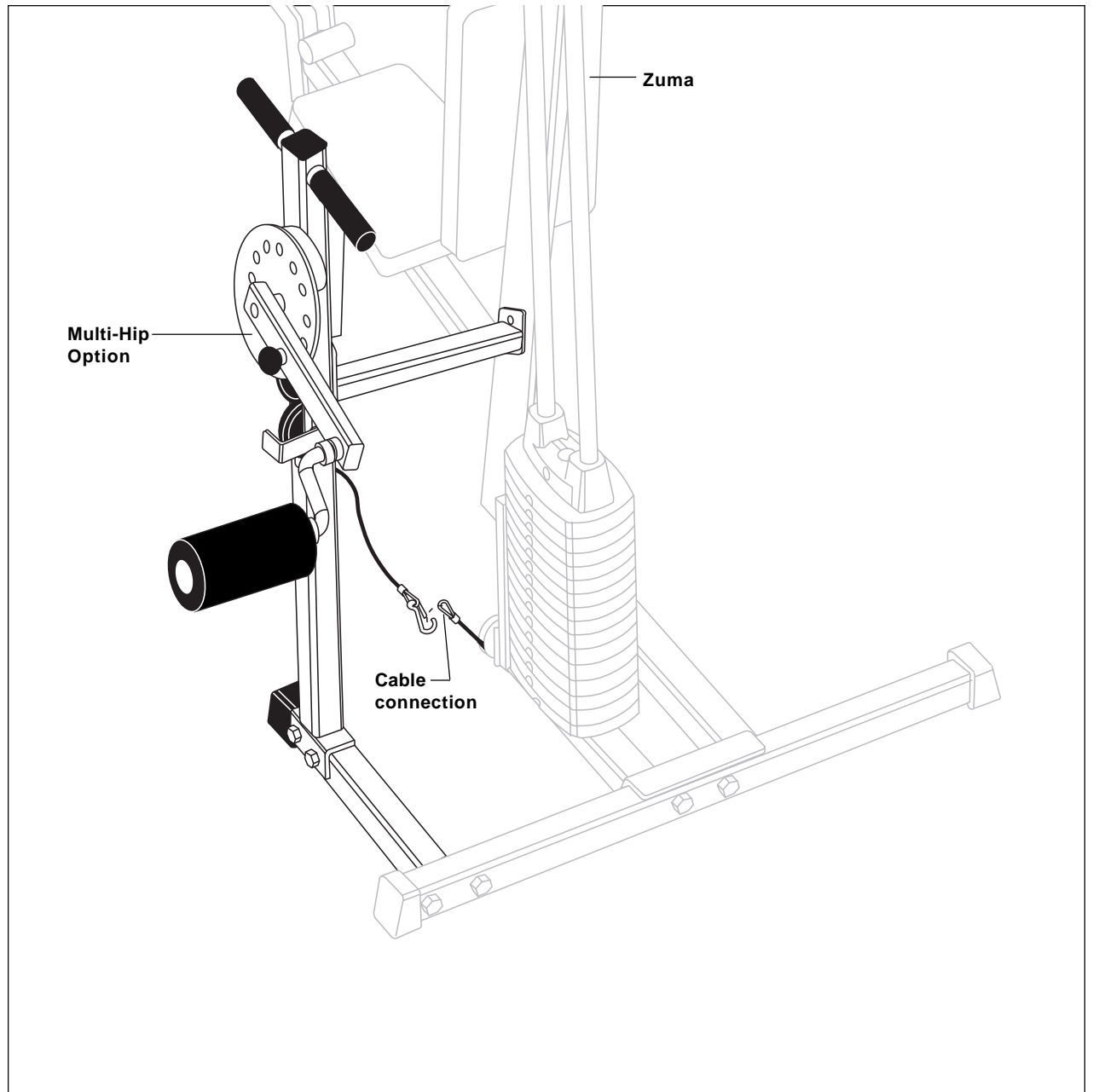
Thank you for purchasing the Multi-Hip Option for your Precor equipment. This option will add a new dimension to your strength-training regimen. For proper installation, please read this guide thoroughly and follow the assembly instructions.

Unpacking the Equipment

The Multi-Hip Option is carefully tested and inspected before shipment. Precor ships the unit in several pieces that require assembly. Two people are required to assemble this equipment. Ask for assistance during the assembly process.

- Review the *Installation Requirements* on the next page.
- Carefully unpack the pieces and lay them on the floor near the place where you plan to use the equipment.

If any items are missing, contact the dealer from whom you purchased the unit or call 1-888-665-4404 to find the dealer nearest you.



2 Preparations

CAUTION: To set up this equipment, you will need assistance. Do not attempt assembly by yourself.

You must review and follow the instructions in this guide. If you do not assemble and use the Multi-Hip Option according to the following guidelines, you could void the Precor limited warranty.

Required Tools

You need to obtain these tools before assembling the unit:

- 3/4-inch socket wrench
- 3/4-inch box-end wrench
- 9/16-inch socket wrench
- 9/16-inch box-end wrench
- Two adjustable pliers or crescent wrenches
- Standard set of metric Allen wrenches
- Utility knife or scissors
- Measuring tape

Installation Requirements

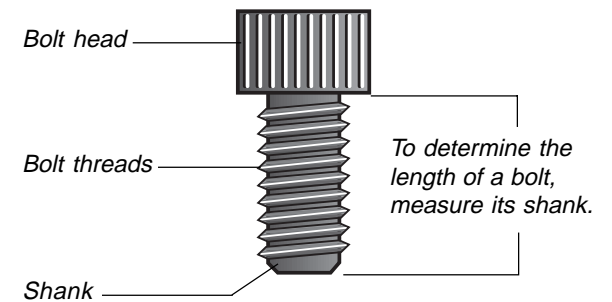
Follow these installation requirements when assembling the unit:

- **Fill out and mail the limited warranty card.** The warranty card is found on the back cover of this guide.
- **Set up the Multi-Hip Option on a solid, flat surface.** A smooth, flat surface under the unit helps keep it level. A level unit has fewer malfunctions.
- **Provide ample space around the machine.** Open space around the machine allows for easier access.
- **Insert all bolts in the same direction.** For aesthetic purposes, insert all the bolts in the same direction unless specified (in text or illustrations) to do otherwise.
- **Leave room for adjustments.** Tighten fasteners (such as bolts, nuts, and screws), so that the unit is stable, but leave room for adjustments. Do not fully tighten fasteners until instructed (in the assembly steps) to do so.

Assembly Tips

- A black, 6-inch scale with white numbers is provided at the bottom of every assembly instruction page. Use this scale to identify the correct size bolts and spacers. The head of a bolt is not used in measuring the length of a bolt.

To find out the length of a particular bolt, measure its shank (the long, narrow part beneath the head). Refer to the following diagram.



- Read all caution notes on each page before completing that step.
- Some pieces have extra holes that you will not use. Use only those holes indicated in the instructions and illustrations.
- While you may be able to assemble the Multi-Hip Option by using the illustrations only, refer to the text for important safety cautions and notes.

3

Assembly Instructions

Assembly of the Multi-Hip Option takes professional installers about 1 hour to complete. If this is the first time you have assembled this type of equipment, plan on significantly more time.

Professional installers are highly recommended!

CAUTION: Obtain assistance! Do not attempt to assemble the Multi-Hip Option by yourself. Because of the weight and size of the Multi-Hip Option, it could injure you or damage the equipment. Review the *Installation Requirements* on page 5 before proceeding.

Be careful to assemble the components in the sequence presented in this guide.



1. Assemble the Frame and Attach It to the Zuma

Important: For ease of assembly, the fasteners and hardware for each step are labeled and packaged in separate bags.

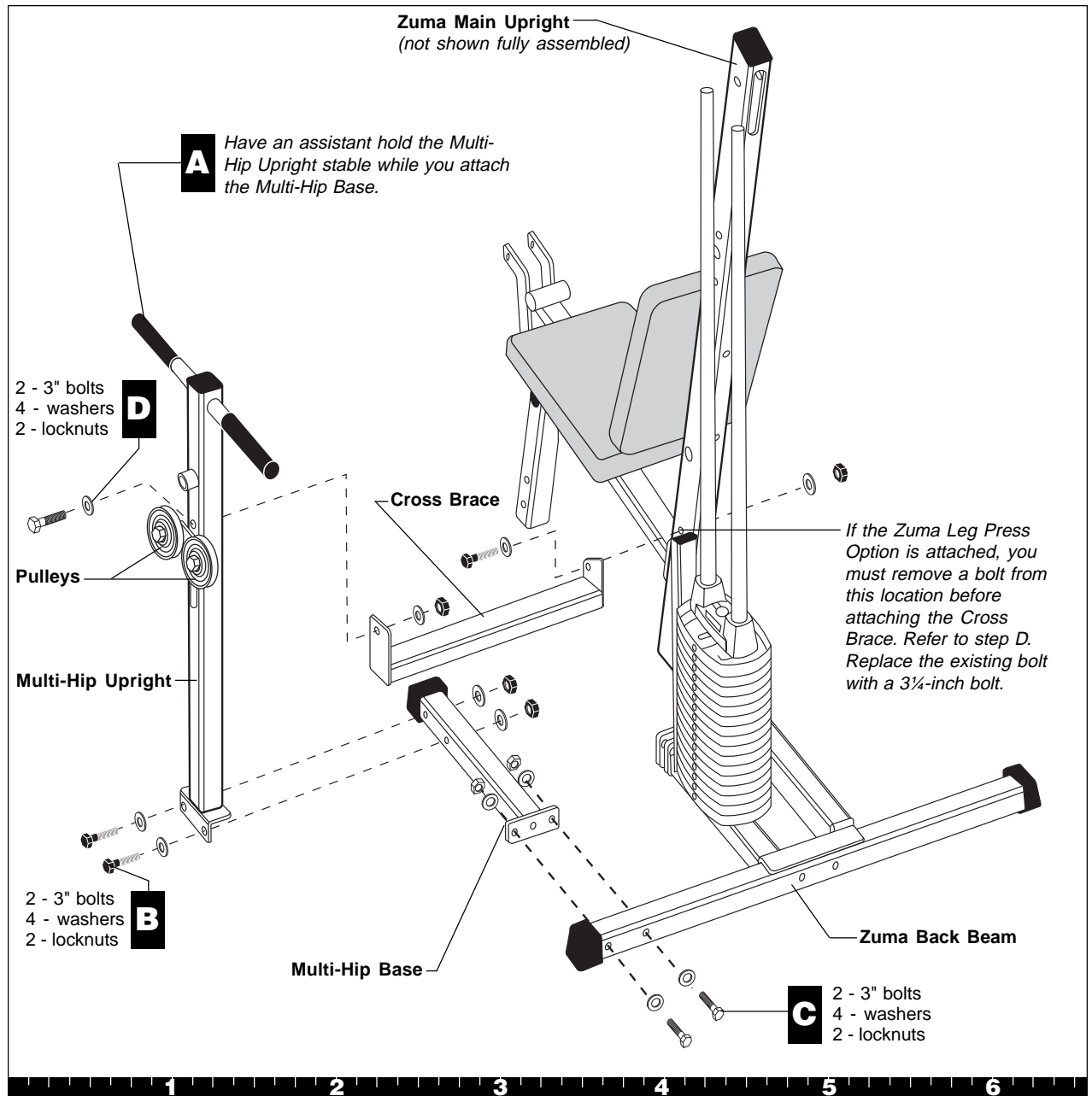
- A. With someone helping you, lift and stabilize the Multi-Hip Upright. Have your assistant hold it in place while you perform the next step.

Important: Position the Multi-Hip Upright as shown in the illustration. The pulleys should face away from the Zuma.

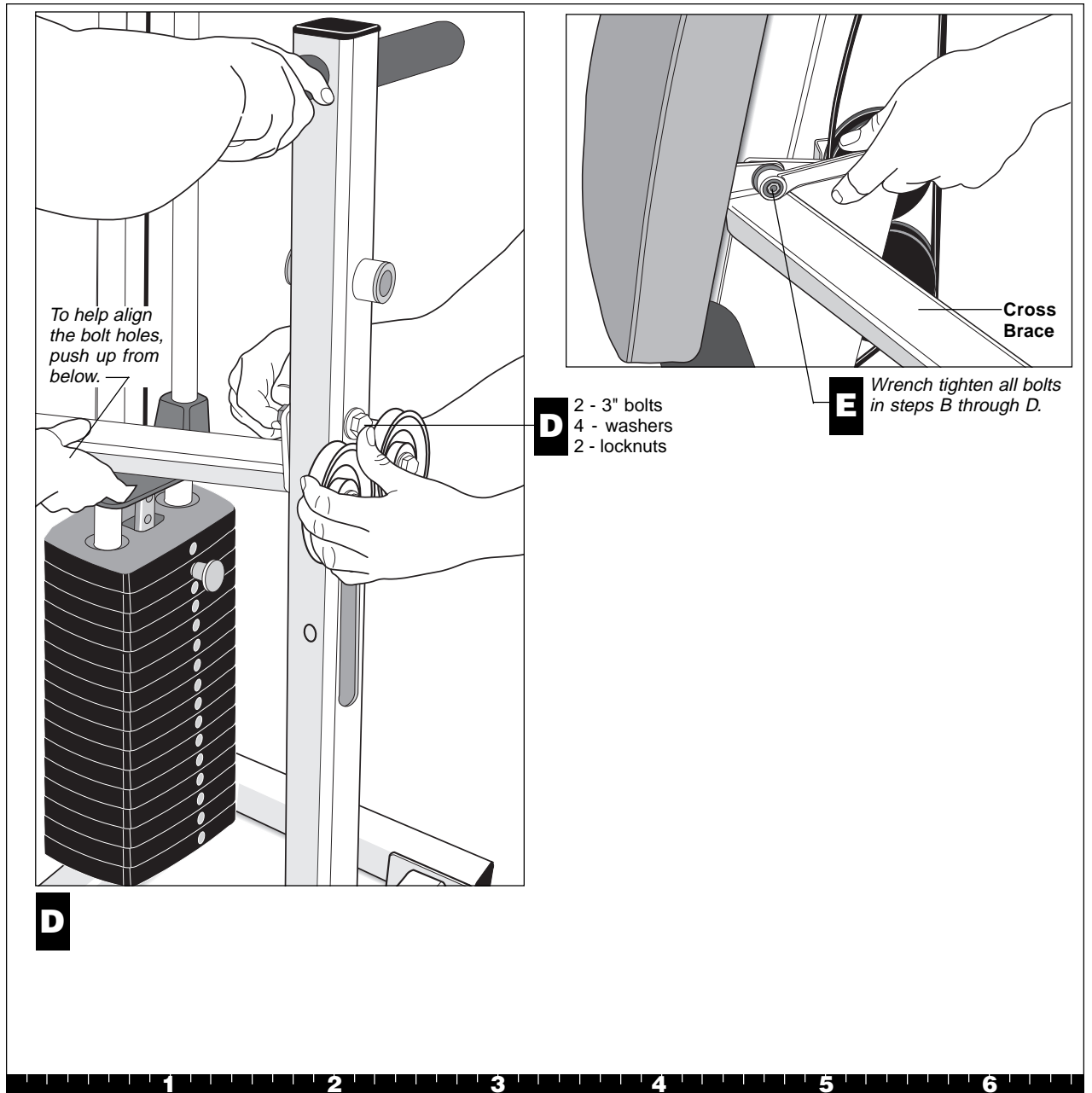
- B. Attach the Multi-Hip Upright to the Multi-Hip Base using two 3-inch bolts, four washers, two locknuts. Finger tighten.

- C. Attach the Multi-Hip Base to the Zuma Back Beam using two 3-inch bolts, four washers, two locknuts. Finger tighten.

Important: If the Zuma has the Leg Press Option installed, you must remove the bolt from the Cross Brace mounting location and replace it with a 3/4-inch bolt instead of the 3-inch bolt used in step D.

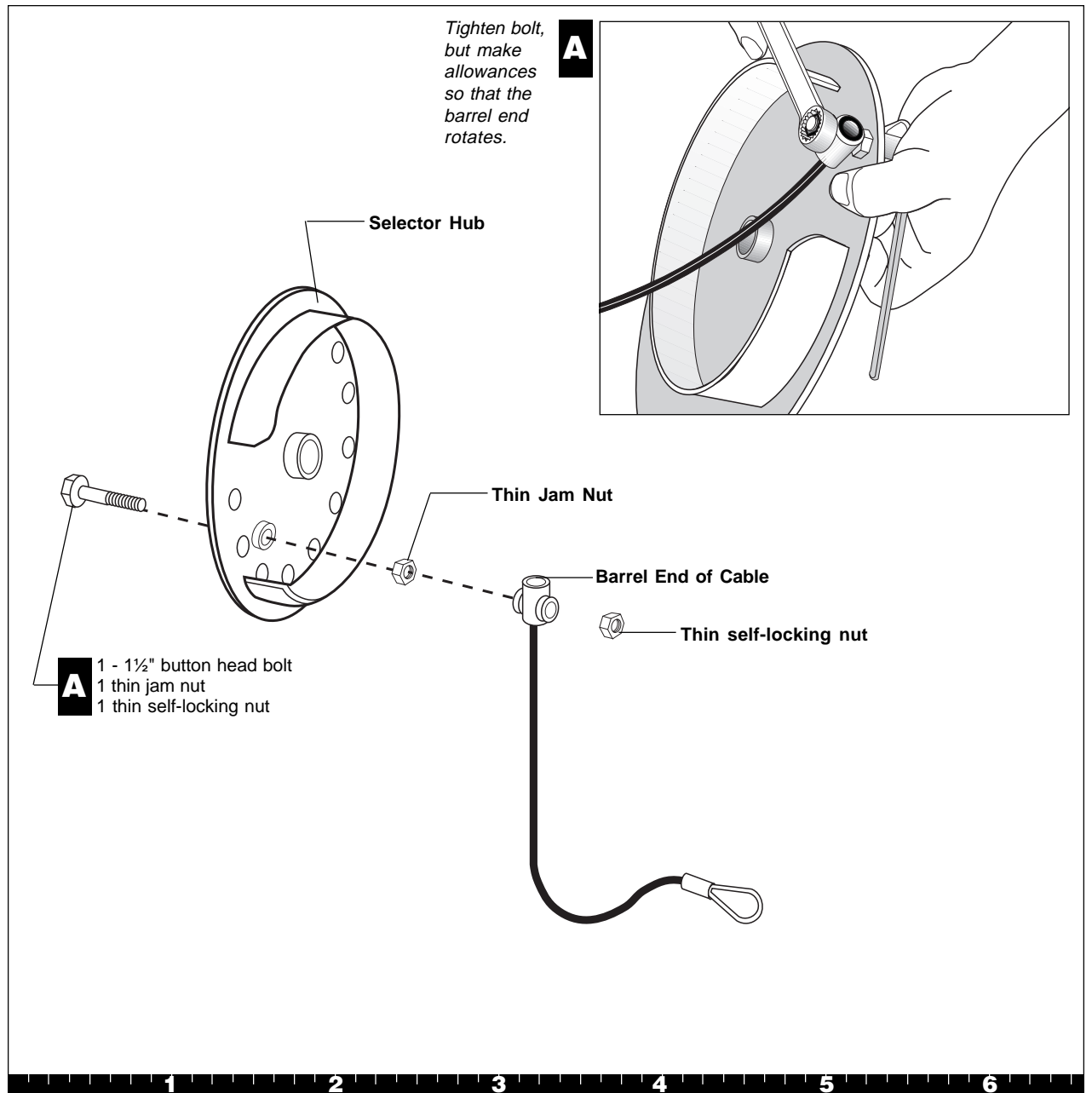


- D. Have your assistant hold the Cross Brace while you align the holes with the Zuma Main Upright and Multi-Hip Upright and install the Cross Brace using two 3-inch bolts, four washers, two locknuts. Finger tighten.
- E. Wrench tighten all the bolts in steps B through D using a 9/16-inch ratchet and a 9/16-inch box end wrench.

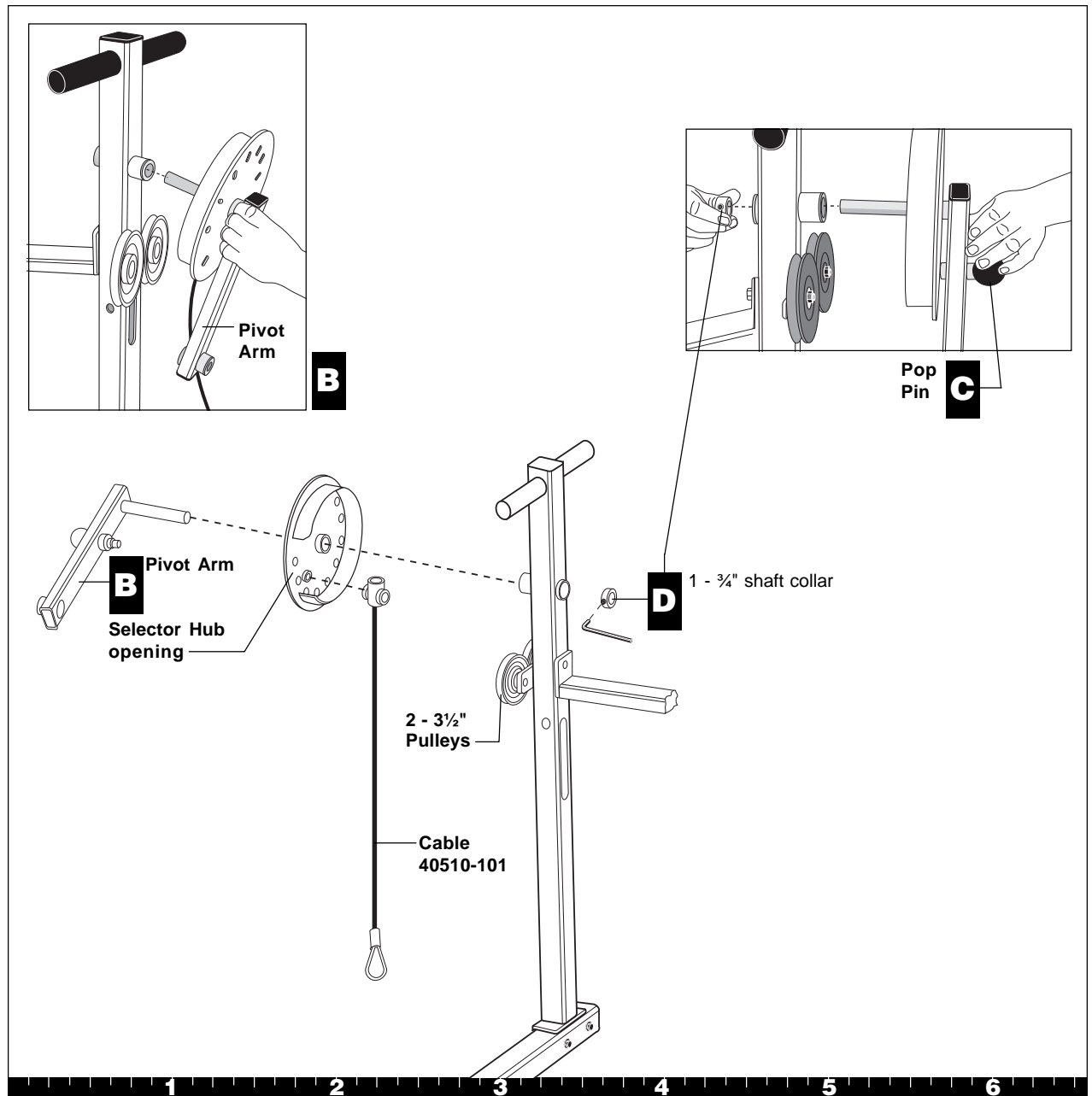


2. Install the Pivot Arm

- A. Attach the barrel end of Cable 40510-101 to the outermost hole of the Selector Hub using
one 1½-inch button head bolt
one thin jam nut
one thin self-locking nut
Wrench tighten so that the barrel end of the Cable rotates freely.



- B. Slide the Pivot Arm through the Selector Hub.
- C. Pull the Pop Pin and rotate the Pivot Arm so that Cable 40510-101 is vertical and aligned properly with the two 3½-inch pulleys on the Multi-Hip Upright. The Selector Hub opening should be positioned as shown in View B of the illustration.
- D. Slide the Pivot Arm through the Multi-Hip Upright and secure it using one ¾-inch shaft collar. Wrench tighten.

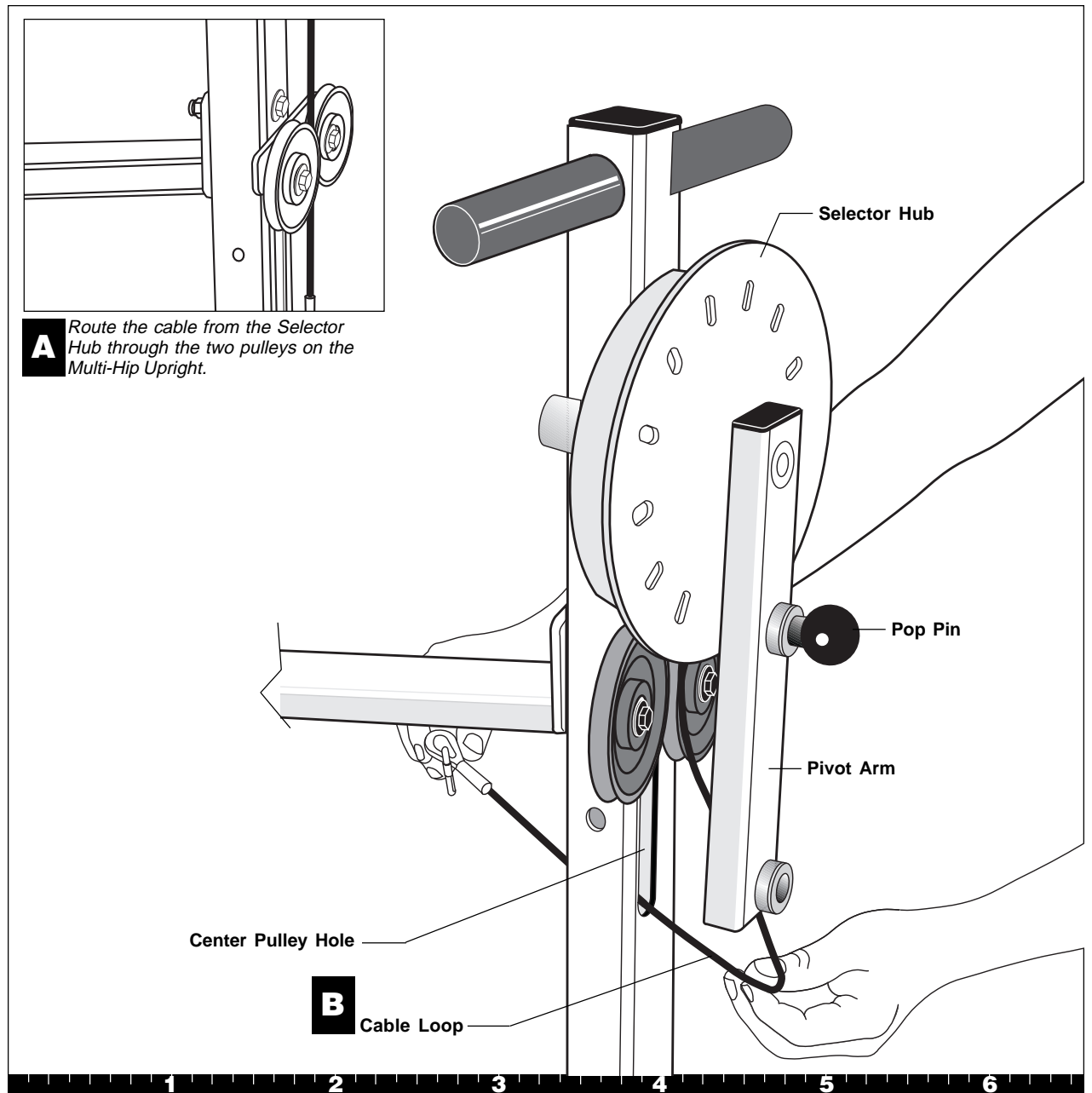


Step 2. Install the Pivot Arm, Continued

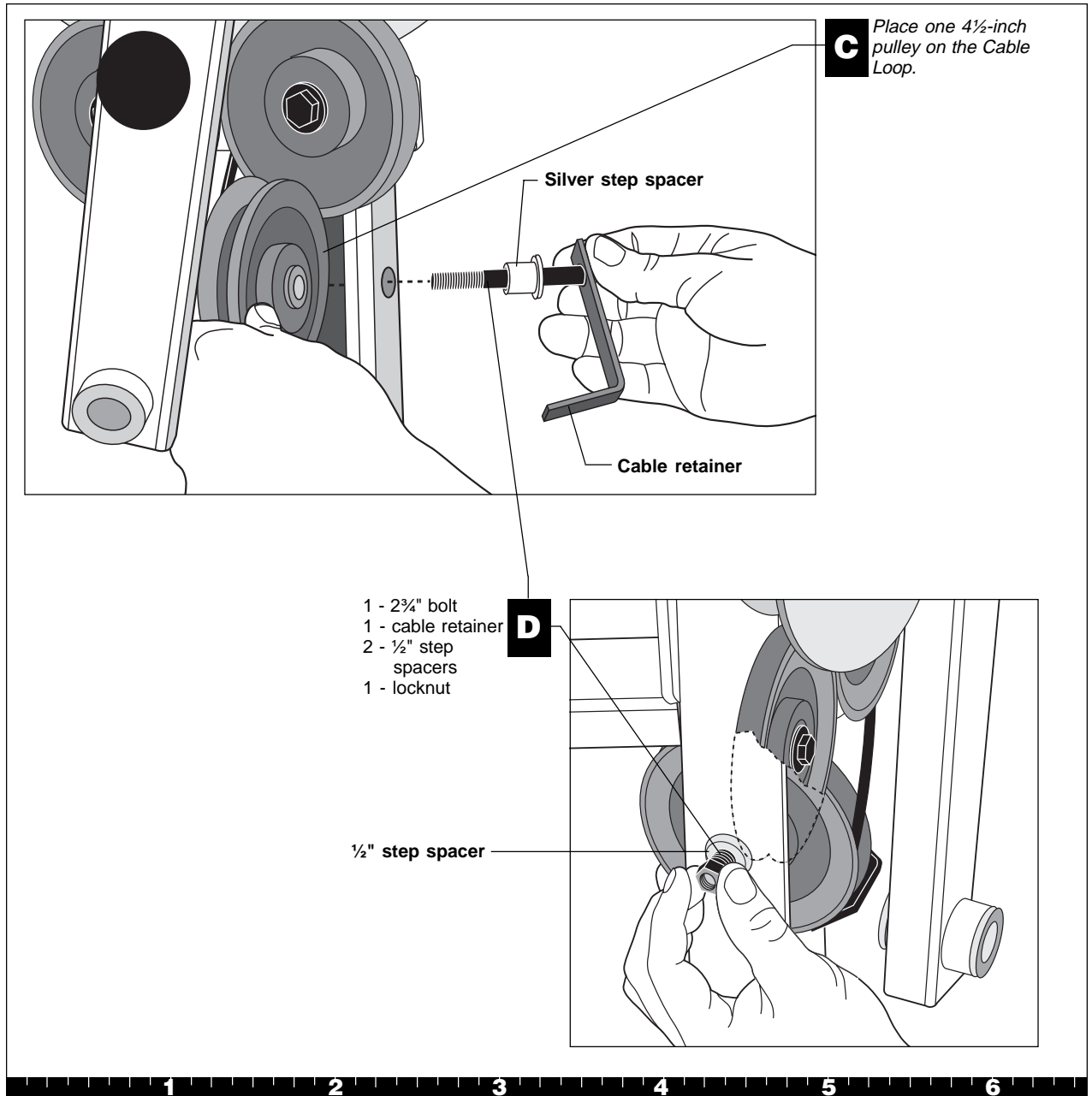
3. Route the Cable and Attach the Pulley

As you route the cable through the pulleys on the Multi-Hip Option, wrench tighten the fasteners on each pulley as you go. Make sure that the cable slides freely along the pulley (and beneath the cable retainers). Make sure that you are using the correct Cable before you tighten the fasteners.

- A. Route the Cable between the two pulleys attached to the Multi-Hip Upright. Note that you may need to loosen the pulley fasteners to slip the Cable between the pulleys.
- B. Route the end of the cable through the center pulley hole. Leave a cable loop on the Pivot Arm side.



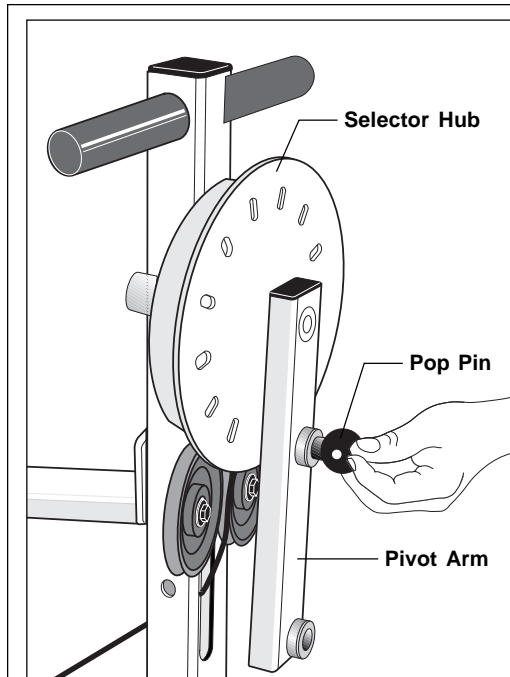
- C. Place a 4½-inch pulley on the Cable Loop and insert the pulley and Cable into the center pulley hole.
- D. Secure the pulley using
one 2¾-inch bolt
one cable retainer
two ½-inch step spacers
one locknut
Wrench tighten.



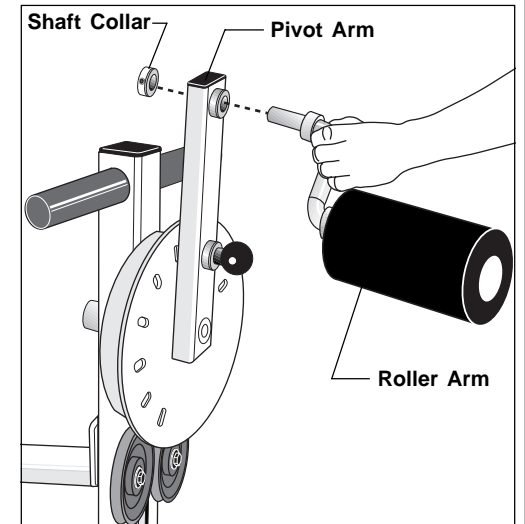
Step 3. Route the Cable and Attach the Pulley, Continued

4. Install the Roller Arm

- A. Pull the Pop Pin so that you can rotate the Pivot Arm. Release the Pop Pin when the Pivot Arm is in an upright position. This makes it easier to assemble the Roller Arm.
- B. Insert the Roller Arm handle through the Pivot Arm.
- C. Secure the Roller Arm using one shaft collar
Wrench tighten the set screw so that the Roller Arm rotates easily.

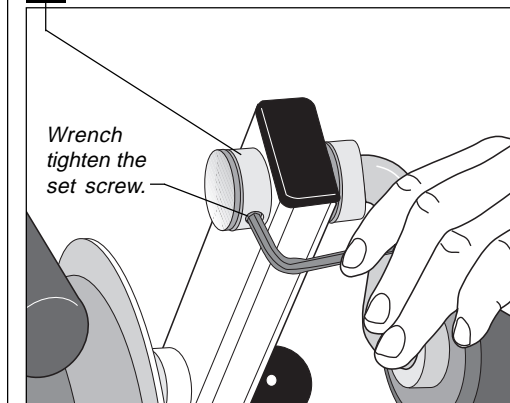


A Pull the Pop Pin and rotate the Pivot Arm.



B Insert the Roller Arm through the Pivot Arm.

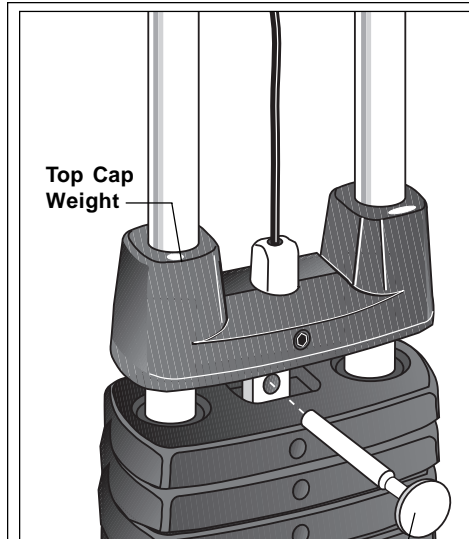
C 1 - 3/4" shaft collar



1 2 3 4 5 6

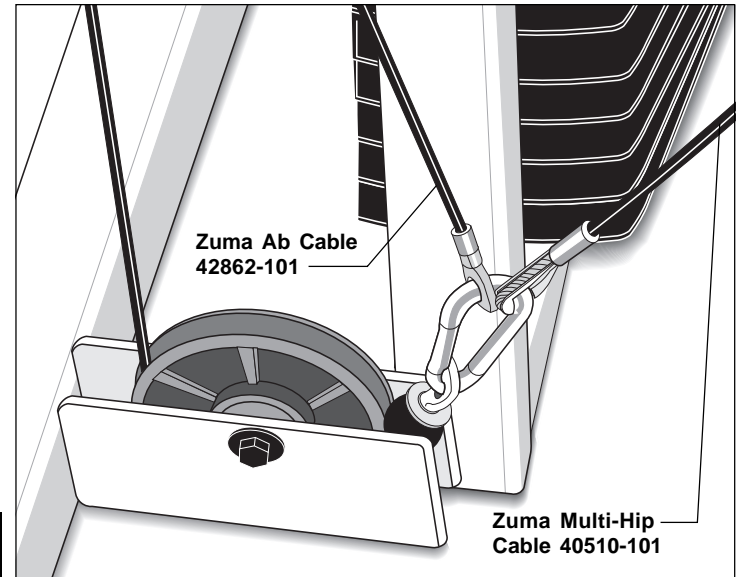
5. Connect the Cable to the Zuma

- A. Insert the Weight Pin in the Top Cap Weight.
- B. Slide Cable 40510-101 onto the Spring Link attached to the Zuma Ab Cable 42862-101.



A

Weight Pin



B

Zuma Ab Cable
42862-101

Zuma Multi-Hip
Cable 40510-101

1 2 3 4 5 6

4 Adjustments

After the Multi-Hip Option is assembled, you should check the Cables for proper tension. These are some obvious signs that cable problems exist:

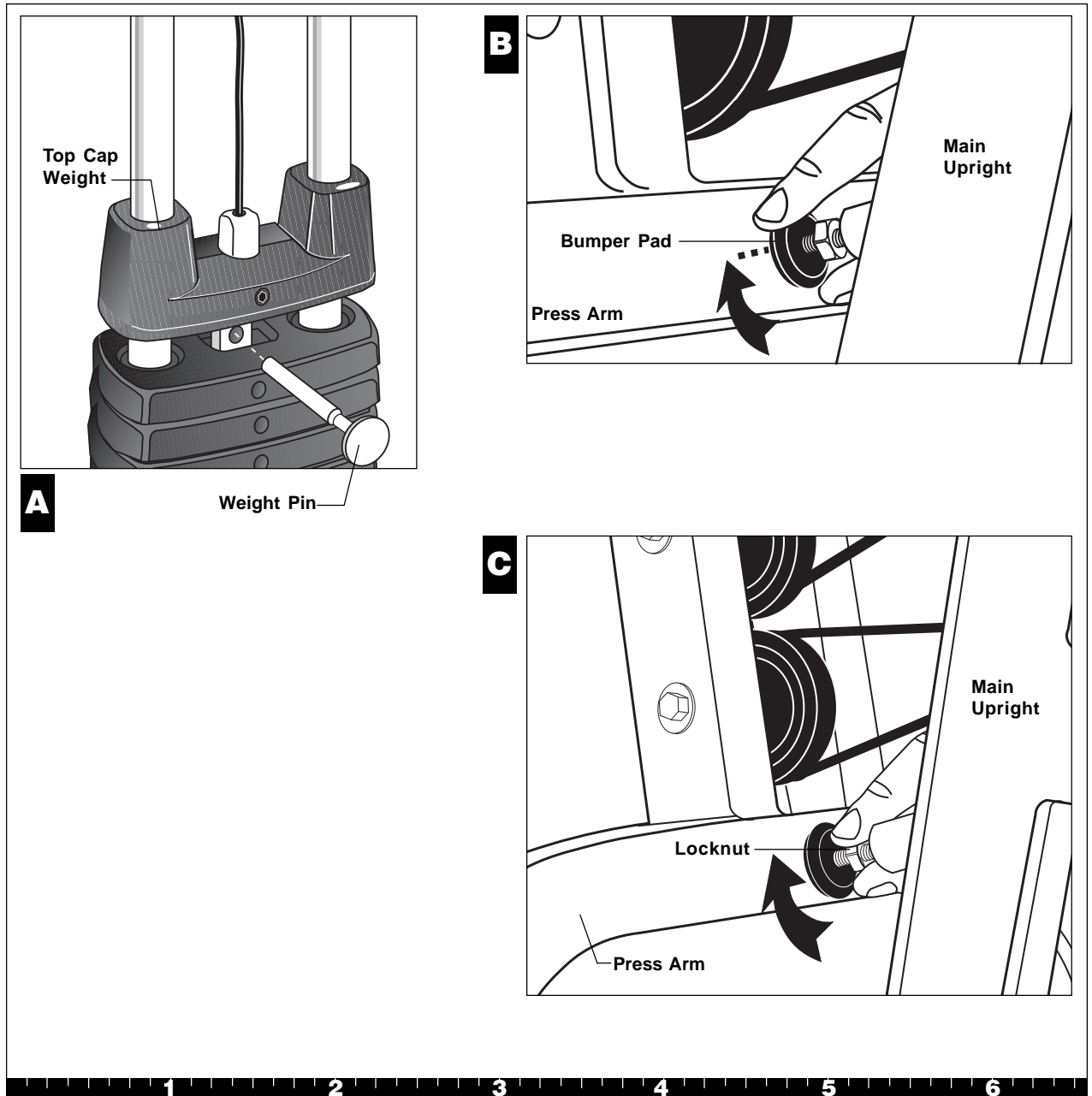
- ✓ Excess slack exists in the cable.
- ✓ The Top Cap Weight does not rest squarely on the weight stack.
- ✓ The cable rubs the inside edges of the pulleys.

CAUTION: Take the time to perform the following steps. If the Cables do not have the proper tension, you could damage the machine and void the Precor Limited Warranty.

- A. You can adjust the Main Cable by placing the Weight Pin in the Top Cap Weight.
- B. To adjust the tension of the Main Cable, unscrew or screw in the Bumper Pad.
- C. After you have properly adjusted the cable tension, tighten the locknut against the Bumper Pad.
- D. Check the weights. Move the Weight Pin to each Weight and Selector Stem location and replace the Weight Pin into the weight stack.

With the slack removed from the Cables, you are now ready to use the Multi-Hip Option. Thank you for choosing Precor Strength-Training Equipment.

Note: For Selector Stem adjustments and maintenance instructions, refer to your *Zuma Assembly Instructions and Maintenance Guide*.



Notes:

Residential Equipment Limited Warranty

Precor Incorporated warrants that all new Precor products are free of manufacturing defects in workmanship and materials. Parts repaired or replaced under the terms of this warranty will be warranted for the remainder of the original warranty period only. This warranty becomes effective at the invoice date of the original purchase.

Elliptical Fitness Crosstrainers and Motorized Treadmills (excluding EFX5.17 and Treadmills: 9.2 and 9.4 series) — Labor is covered for one year, parts are covered for five years plus a lifetime frame weld warranty covering parts-only repair or replacement parts. (Labor is not covered on frame replacement after one year.)

Products (StretchTrainer, Strength Equipment — formerly Pacific Fitness) other than Elliptical Fitness Crosstrainer and Motorized Treadmills (except options)

StretchTrainer — Labor is covered for a period of 90 days, parts are covered for a period of one year plus a lifetime frame weld warranty covering parts-only repair or replacement parts. (Labor is not covered on frame replacement after one year.)

Pacific Fitness Branded Strength Products and Precor Strength Products S3.xx

This is a parts only warranty. Labor costs are not covered.

1. Frame & Welds: Defective parts pertaining to frame structure, including all welded assembly parts, will be warranted for Lifetime.
2. Bearings, Guide rods, Cams, Pulleys, Belts, Cables, Hand grips, and Miscellaneous parts will be warranted for a period of three years. **Note that for the Precor Strength Products S3.xx, and the Pacific Fitness Solana and Zuma, the warranted period is five years.**
3. Upholstery will be warranted for a period of one year. A three month warranty applies to Naugahyde upholstery for Pacific Fitness Branded Strength Products only.

Return Policy: Proof of purchase is required to determine whether service on a Precor Strength Product/Pacific Fitness Product during its warranty period will commence. Claims should be made to the dealer from whom you purchased the product. The purchaser is responsible for all transportation and insurance costs on returned or replaced equipment or parts. The purchaser also assumes any costs associated with the disassembling or reassembling of the replacement parts. **WARRANTY BECOMES VOID IF PRECOR FINDS THE DEFECT A RESULT OF INCORRECT INSTALLATION, MISUSE, LACK OF PROPER MAINTENANCE OR ANY MODIFICATION NOT APPROVED BY PRECOR.**

Options / Accessories / Battery-powered or Self-Operated Devices

Many options or accessories have components that are connected internally or mounted inside the electronic console. The following guidelines determine the warranty for these components. If the internal components are installed by the factory or by an authorized dealer as part of the original sale and delivery, they have a warranty that is identical to the warranty of the equipment in which they are connected or mounted. If the internal components are not installed by the factory or by an authorized dealer as part of the original sale and delivery, they have a 90 days parts and labor limited warranty. All components that are not internally connected have a 90 days parts only limited warranty. Satisfactory proof of purchase is required in all cases.

PRECOR'S SOLE LIABILITY IS LIMITED TO REPAIR OR REPLACEMENT OF PARTS ACCORDING TO THE TERMS AND CONDITIONS OF THESE LIMITED WARRANTIES, AND ANY IMPLIED WARRANTIES OF MERCHANTABILITY OR FITNESS FOR A PARTICULAR PURPOSE ARE LIMITED TO THE DURATION OF THE ABOVE WRITTEN WARRANTIES. IN NO EVENT WILL PRECOR OR THE SELLING DEALER BE LIABLE FOR INCIDENTAL OR CONSEQUENTIAL DAMAGES SUCH AS INCONVENIENCE, COMMERCIAL LOSS, LOST PROFITS OR DAMAGE TO OTHER PROPERTY.

Some states do not allow the exclusion or limitation of incidental or consequential damages, so the above limitation may not apply to you. This warranty gives you specific legal rights, and you may also have other rights which vary from state to state.

Keep for your records. Purchased From _____

Phone Number _____ Product/Model _____

Serial # _____

Conditions

This warranty is valid only in accordance with the conditions set forth below.

1. Warranty applies to the Precor product only while A) it remains in the possession of the original purchaser and proof of purchase is demonstrated, B) it has not been subjected to accident, misuse, abuse, improper service, or non-Precor modification and C) claims are made within the warranty period.
2. Warranty of all Precor products applies to residential use only (unless specifically stated by the factory, in writing, to be warranted for commercial use) and is void when products are used in a non-residential environment or installed in a country other than where sold.
3. This warranty does not cover damage or equipment failure caused by residential wiring not in compliance with electrical codes or Precor owner's manual specifications, or failure to provide reasonable and necessary maintenance as outlined in the owner's manual.
4. During the labor period Precor compensates Servicers for warranty trips within their normal service area to repair motorized treadmills and elliptical fitness crosstrainers at the customer's location. You may be charged a trip charge outside the service area, or for on-site warranty repairs, or for on-site warranty repairs of strength products, within the service area.
5. Precor Limited Warranty service may be obtained by contacting the authorized dealer from where you purchased the equipment or by contacting a Precor Factory Authorized Service Center, or by calling 1-800-4-PRECOR (1-800-477-3267).
6. Except in Canada, Precor does not pay labor outside the United States. Equipment limited warranty is void when equipment is installed in a country other than where sold. For specific warranty details, contact a local Precor dealer.

This Limited Warranty shall not apply to:

1. Software (PROM) limitations or corrections.
2. Batteries or other consumables, or cosmetic items, grips, seats, labels, or wheels.
3. Repairs performed on Precor equipment missing a serial number or with a serial tag that has been altered or defaced.
4. Service calls to correct installation of the equipment or instruct owners on how to use the equipment.
5. Pick-up, delivery, or freight charges involved with repairs.
6. Any labor costs incurred beyond the applicable labor warranty period.

Please fill out the Warranty Registration and mail it to Precor.



Residential Equipment Limited Warranty
Thank you for purchasing a PRECOR product. In order that we may continue to serve you in the future, please take a few minutes to complete and return this warranty registration.

The undersigned hereby acknowledges receipt of the Precor Limited Warranty and affirms that the date of purchase was 20____; further, that the undersigned has read and understands the conditions and terms of the Precor Limited Warranty in its entirety. For your protection, complete the Precor Limited Warranty registration card within 10 days from date of purchase and mail it to Precor. In the event of a safety modification or for other reasons Precor might deem necessary, we will contact you directly.

Name of Facility _____

Contact Person _____ Mr. Ms.

Phone Number _____ - _____

Address _____

City _____ State _____ Zip Code _____

Purchased From _____

City _____ State _____ Zip Code _____

Serial # _____ Serial number is located on the shipping box and on the product.

Purchaser's Signature _____
Please detach and return this portion.

Please fill out the Warranty Registration and mail it to Precor.



Zuma Multi-Hip Option Specifications

Length: 18 inches (46 cm)

Height: 44 inches (112 cm)

Width: 34 inches (86 cm)

Shipping weight: 40 lb (18 kg)

Warranty Registration Card

PRECOR[®]
USA
Precor Incorporated
20031 142nd Avenue NE
P.O. Box 7202
Woodinville, WA USA 98072-4002

PRECOR[®]
USA

Precor Incorporated
20031 142nd Avenue NE
P.O. Box 7202
Woodinville, WA USA 98072-4002

Precor and Pacific Fitness are registered trademarks of Precor Incorporated.
Specifications subject to change without notice.
Copyright 2001 Precor Incorporated.
Precor web site: www.precor.com

NOTICE:

Precor is widely recognized for its innovative, award winning designs of exercise equipment. Precor aggressively seeks U.S. and foreign patents for both the mechanical construction and the visual aspects of its product design. Any party contemplating the use of Precor's product designs is hereby forewarned that Precor considers the unauthorized appropriation of its proprietary rights to be a very serious matter. Precor will vigorously pursue all unauthorized appropriation of its proprietary rights.

Zuma Multi-Hip Literature Kit # 44451-102
Multi-Hip Assembly Instructions # 44452-102
Exploded Views # 44453-102
Warranty Card # 36287-107
Effective date: September 24, 2001

PLACE
STAMP
HERE